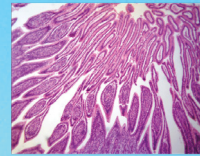




# LABOMED, INC.



## **LB-283 Trinocular LED Fluorescent Biological Microscope with Mercury lamp (with B&G filter, 0.5X C-mount adapter)**

**LB-283 Trinocular LED Fluorescent Biological Microscope with Mercury lamp (with B&G filter, 0.5X C-mount adapter)** has Innovative LED as fluorescence illumination source, provide excellent image with easy and comfortable usage experience.

### **APPLICATION**

**LB-283 Trinocular LED Fluorescent Biological Microscope with Mercury lamp (with B&G filter, 0.5X C-mount adapter)** is specifically designed for the daily routine work in the demanding applications of education, pathology investigation, clinical and laboratory usage.



# LABOMED, INC.



## FEATURES

1. Six-holes disk fluorescence unit, More fluorescence filters can be supplied



2. Reckless Wire Driven Mechanical Fixed Stage with focus lock is safer than traditional stage





# LABOMED, INC.

3. Quintuple turret phase contrast unit with 10X/20X/40X/100X Infinite plan phase contrast objective for phase contrast and bright field observation.



4. Optional accessories.

N.A.0.9/0.13 Swing-out Condenser

Dark field condenser (dry) available to 4X-60X Objective

Dark field condenser (oil) available to 100X Objective



Infinite Plan Objectives





# LABOMED, INC.

## SPECIFICATION

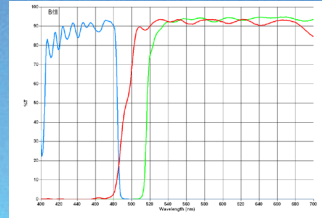
Model	LB-283
Optical System	Color Corrected Infinite Optical System
Viewing Head	Seidentopf Trinocular Head, Inclined 30°, Rotatable 360°, Interpupillary
Distance:	48-76mm, Light distribution (both): 100: 0 (100% for eyepiece) 80:20(80% for trinocular head and 20% for eyepiece)
Eyepiece	WF10×/22mm (Diopter adjustable), tube diameter: 30mm
Infinite Plan Achromatic Objective	4×/0.10, W.D.=12.10mm 10×/0.25, W.D.=4.64mm 20×/0.40(S), W.D.=2.41mm 40×/0.65 (S), W.D.=0.65mm 100×/1.25(S, Oil), W.D.=0.12mm
Nosepiece	Backward Quintuple Nosepiece
Stage	Rackless Double Layers Mechanical stage, Size: 182mm×140mm, Travel Range: 77mm×52mm, Scale: 0.1mm, Two Slide Holder
Condenser	Swing out condenser N.A.0.9/0.13, with iris diaphragm
Focusing	Coaxial Coarse and Fine Focusing Knob, Coarse Focusing Travel Range: 25mm, Coarse Stroke 42.4mm/rotation, Fine Stroke 0.2mm/Rotation, Fine division: 2μm
Koehler Illumination	6V/30W Halogen Lamp with Field Diaphragm, Brightness Adjustable
Fluorescent Attachment	3W LED Epi-Fluorescence unit (Six-hole disc, B & G filters)
Video Adapter	0.5× C-mount (focus adjustable, used for microscope camera)
Filter	Blue
Power Supply	Wide voltage input: 100V~240V
Packing	1 carton/set, Packing Size: 755mm×340mm×440mm,
Gross Weight:	17 kgs, Net Weight: 15 kgs



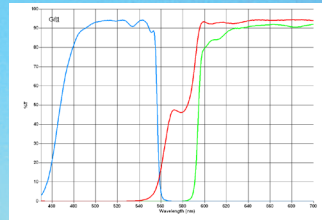
# LABOMED, INC.

## Fluorescent filters

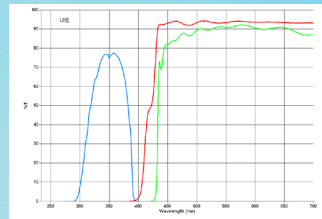
B Excitation Wavelength (nm)  
Exciter 420-490  
Dichroic 505  
Barrier 520



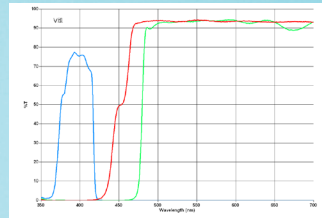
G Excitation Wavelength (nm)  
Exciter 500-550  
Dichroic 575  
Barrier 590



UV Excitation Wavelength (nm)  
Exciter 330-380  
Dichroic 400  
Barrier 435



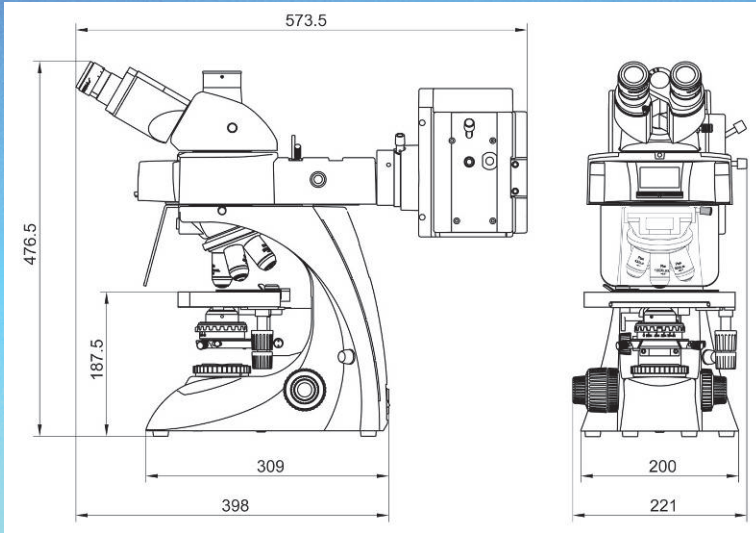
V Excitation Wavelength (nm)  
Exciter 380-420  
Dichroic 430  
Barrier 460





# LABOMED, INC.

## DIMENSION





# LABOMED, INC.

## LAYOUT DIAGRAM

