



# LB-296

**Trinocular Inverted Biological Microscope w/  
Wide Field Eyepiece & Backward Quintuple  
Nosepiece**



## LB-296 Trinocular Inverted Biological Microscope w/ Wide Field Eyepiece & Backward Quintuple Nosepiece

**LB-296 Trinocular Inverted Biological Microscope w/ Wide Field Eyepiece & Backward Quintuple Nosepiece** is a high level microscope which is specially designed for medical and health units, universities, research institutes to observe cultured living cells. With an innovative infinite optical system and ergonomic design, it has excellent optical performance and easy to operate features. This inverted biological microscope makes your work enjoyable. Digital cameras can be added to the trinocular head to take photos, videos and make measurement.

### APPLICATION

**LB-296 Trinocular Inverted Biological Microscope w/ Wide Field Eyepiece & Backward Quintuple Nosepiece** is used by medical and health units, universities, research institutes for observations of micro-organisms, cells, bacteria and tissue cultivation. It can be used for continuous observation of process of cells, bacteria grow and divide in the culture medium. Videos and images can be taken during the process. This microscope is widely used in cytology, parasitology, oncology, immunology, genetic engineering, industrial microbiology, botany and other fields.

### FEATURES

1. Excellent infinite optical system, Wide field eyepiece, view field up to  $\Phi 22\text{mm}$ , perfect for cell observation and culture.
2. Brand-new design for life science research.
3. More objectives can be installed on the large diameter quintuple nosepiece, easier to change objective.
4. Both light ports for microscope digital camera and DSLR photography camera, available for observing with microscope digital camera and DSLR photography camera at the same time.
5. Light distribution (both): 100 : 0 (100% for eyepiece); 80 : 20 (80% for trinocular head and 20% for eyepiece).

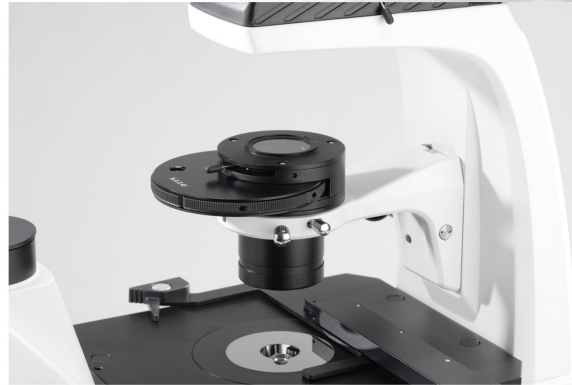


6. Automatic infrared induction for power on-off. Power off upon user leaving 10 minutes, and power on upon user approaching.

7. Special light port for SLR digital camera, 7° inclined up to be more convenient to observe the image of the DSLR camera.



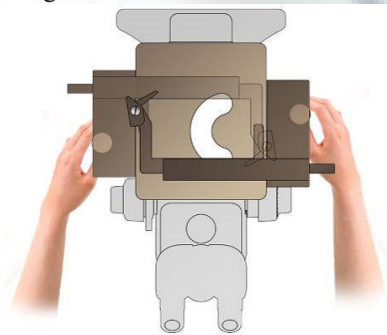
- 8. 12V/50W Kohler illumination makes the field more even and brighter.
- 9. 4-hole rotating disc phase contrast condenser as standard to change bright field and phase contrast easily.



10. Culture Dish Holders.



- 13. Knob of X-Y mechanical stage can be changed by left or right.
- 14. Infinite plan 4X phase contrast objective is available.



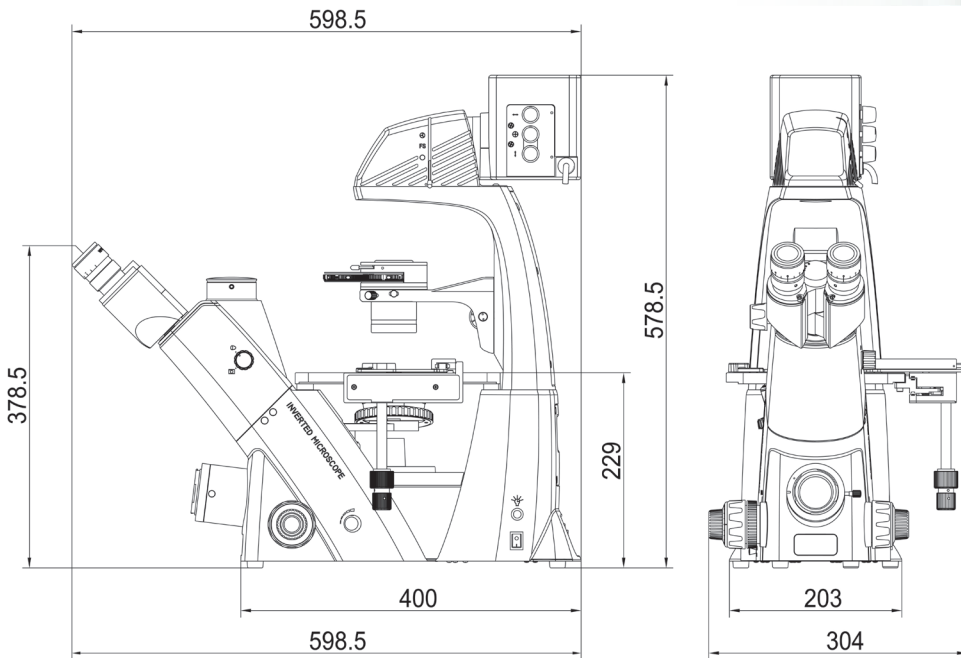
### SPECIFICATION

Item	Specification	
Optical System	Infinite Optical System	
Viewing Head	Seidentopf Trinocular Head, Inclined at 45°, Interpupillary Distance 48-76mm, Light distribution (both): 100: 0 (100% for eyepiece), 80:20 (80% for trinocular head, and 20% for eyepiece), Eyepiece Tube Diameter 30mm	
Eyepiece	Wide Field Eyepiece WF10×/ 22mm	
Objective	Long Working Distance Infinite Plan Achromatic Objective (L Plan FL)	4×/0.11, W.D.=12.1mm
	Long Working Distance Infinite Plan Achromatic Phase Contrast Objective (L Plan FL PHP)	10×/0.25, W.D.=10.3mm
		20×/0.45, W.D.=5.8mm
		40×/0.65, W.D.=5.1mm
Nosepiece	Backward Quintuple Nosepiece	
Condenser	4-hole rotating disc phase contrast condenser, N.A.0.4, W.D.45mm, It can be adjusted up-down	

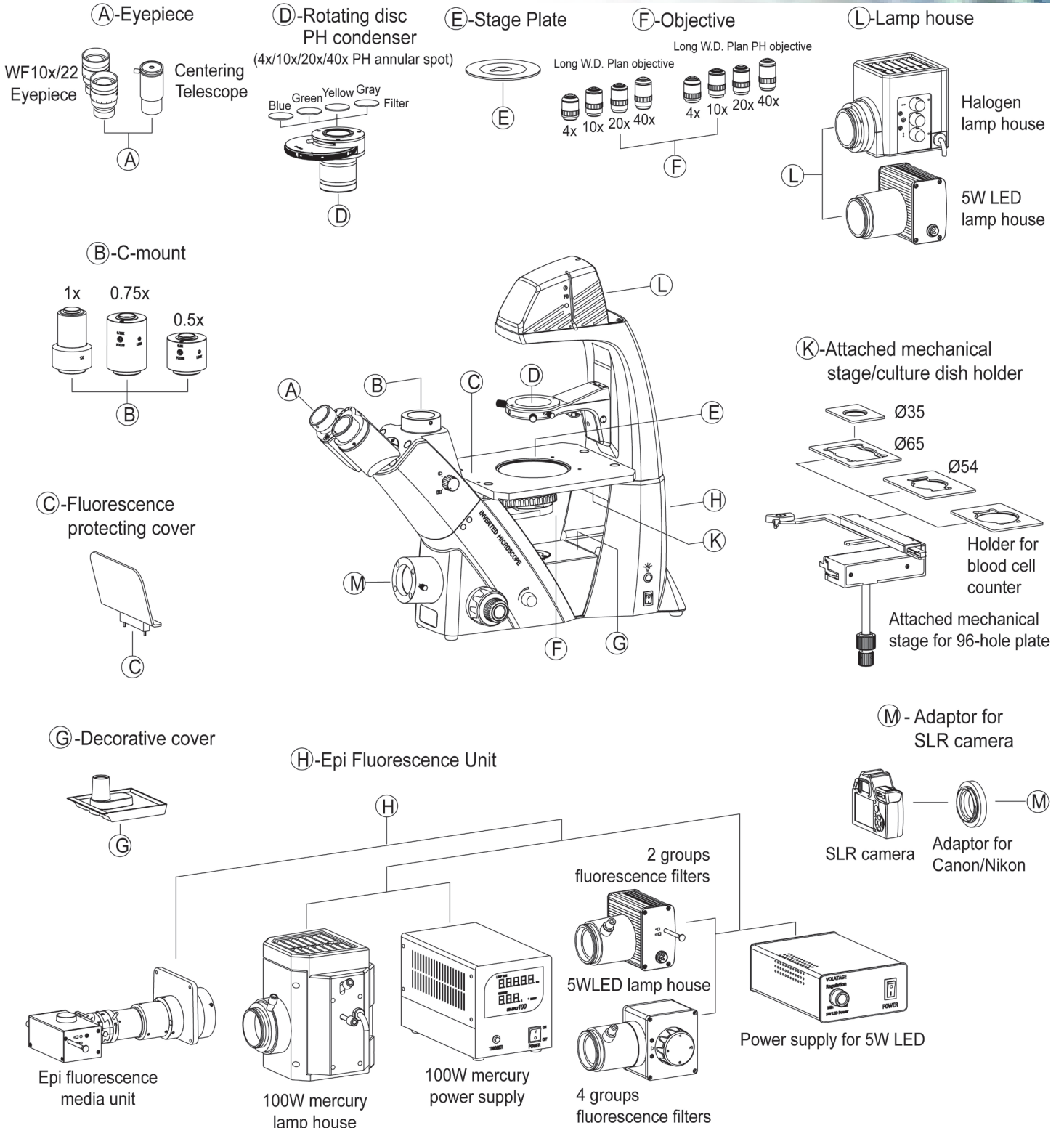


Centering Telescope	Centering Telescope ( $\Phi 30\text{mm}$ )
Phase Annulus	10 $\times$ , 20 $\times$ , 40 $\times$ Phase Annulus Plate
Stage	Plain Stage 210(X) $\times$ 240mm(Y), round slide plate: $\Phi 110\text{mm}$
	Attachable Mechanical Stage, X-Y Coaxial Control, Moving Rang: 128mm $\times$ 80mm
	Petri Dish Holder $\Phi 54\text{mm}$
Focusing	Coaxial Coarse and Fine Adjustment, Fine Division 0.002mm, Moving Range 10mm
Koehler Illumination	12V/50W Halogen Lamp, Brightness Adjustable, input voltage: 100V-240V
Auto power on-off system	Power off automatically upon user leaving 10 minutes, power on automatically upon user approaching
Filter	Blue Filter, Diameter 32mm
	Green Filter, Diameter 32mm
C-mount	0.5 $\times$ C-mount Adapter (focus adjustable)
Adapter for DSLR Photography	100% light for Photography Port (Adapter for CANON or NIKON DSLR Digital Photography Camera)
Packing	1carton/set, Packing Size: 66cm $\times$ 59cm $\times$ 33cm, Gross Weight: 18kgs, Net Weight: 13.5kgs

## DIMENSION



# SYSTEM DIAGRAM



**SAMPLE IMAGES**

