



LC-36

2.1 MP USB2.0 CMOS Eyepiece Camera



LC-36 2.1M USB 2.0 CMOS Eyepiece Camera

LC-36 2.1M USB2.0 CMOS Eyepiece Camera are economic version with simple and compact structure CMOS eyepiece cameras (digital eyepiece). USB2.0 is used as the data transfer interface. The LC-36 2.1M USB2.0 CMOS Eyepiece Camera come with high-speed USB2.0 interface and high frame rate video display, which keep the screen smooth without interruption. Also the LC-36 2.1M USB2.0 CMOS Eyepiece Camera comes with advanced video & image processing application ImageView. The LC-36 2.1M USB2.0 CMOS Eyepiece Camera can be widely used to transfer the monocular or binocular student microscopes to digital microscope. With 23.2 to 30mm or 23.2 to 30.75 convert ring, the LC-36 2.1M USB2.0 CMOS Eyepiece Camera can also change the stereo microscope to digital stereo microscope.

FEATURES

- Microscope eyepiece camera with 23.2 diameter and compact size;
- Easy to extend to C or CS- Mount camera with high quality lens(optional);
- High-quality camera with Aptina and Sony CMOS sensor;
- Auto white balance and auto-exposure; Brightness, contrast, chroma and saturation can be adjusted;
- High-speed USB2.0 interface and high frame rate video display keep the screen smooth without interruption;
- With advanced video & image processing application ImageView;
- Providing Windows/Linux/Mac OS multiple platforms SDK;
- Native C/C++, C#/VB.NET, DirectShow, Twain Control API.

SPECIFICATION

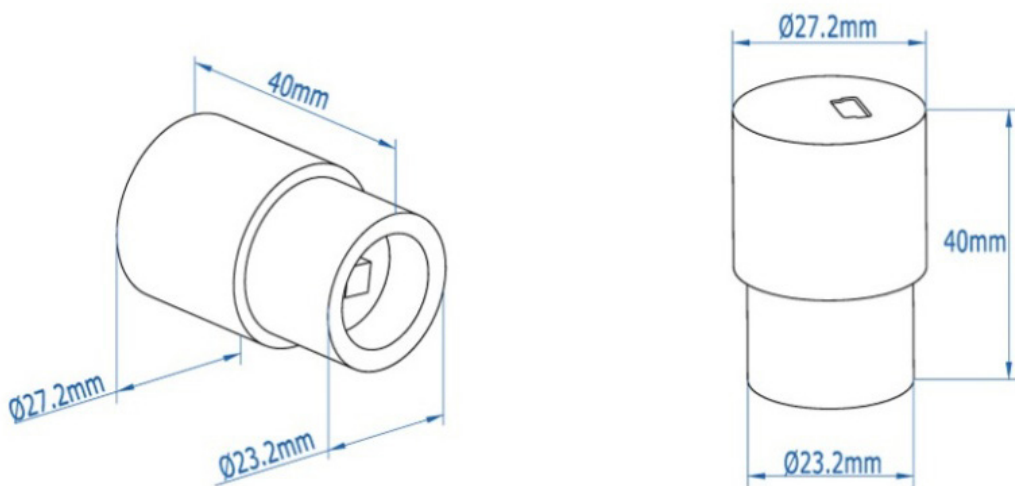
Model	LC-36
Sensor & Size(mm)	2.1M/IMX307(C) 1/2.8" (5.73x4.3)
Pixel(μm)	2.9x2.9
G Responsivity	1300mV
Dynamic range	73dB
SNRmax	43dB
FPS/Resolution	38@2048x1536 38@1024x768
Binning	1x1 1x1
Exposure	0.1-2000 ms

Other Specification for LC-36	
Spectral Range	380-650nm (with IR-cut Filter)
White Balance	Auto White Balance
Color Technique	N/A
Capture/Control API	Windows/Linux/macOS/Android Multiple Platform SDK (Native C/C++, C#/VB.NET, Python, Java, DirectShow, Twain, etc)

Recording System	Still Picture and Movie
Cooling System*	Natural
Operating Environment	
Operating Temperature(in Centidegree)	-10~ 50
Storage Temperature(in Centidegree)	-20~ 60
Operating Humidity	30~80%RH
Storage Humidity	10~60%RH
Power Supply	DC 5V over PC USB Port
Software Environment	
Operating System	Microsoft® Windows® XP / Vista / 7 / 8 / 10 (32 & 64 bit)
	OSx(Mac OS X)
	Linux
PC Requirements	CPU: Equal to Intel Core2 2.8GHz or Higher
	Memory: 2GB or More
	USB Port: USB2.0 High-speed Port
	Display: 17" or Larger
	CD-ROM

DIMENSION

The LC-36's body is made of aluminum alloy blackening, ocular housing: Dia.27.2 X 40mm ensures a heavy duty, workhorse solution. The camera is designed with a high quality IR-CUT filter to filter the infrared light and protect the camera sensor. No moving parts included. These measures ensure a rugged, robust solution with an increased lifespan when compared to other camera solutions.



PACKAGING INFORMATION

Standard Camera Packing List	
A	Carton L:52cm W:32cm H:33cm (50pcs, 12~17Kg/ carton), not shown in the photo
B	Gift box L:14.5cm W:9.5cm H:6.0cm (0.15~0.16Kg/ box)
C	LC-36 USB2.0 eyepiece camera
D	High-Speed USB2.0 A male to mini B 5-pin male gold-plated connectors cable /1.5m
E	CD (Driver & utilities software, Ø8cm)
Optional Accessory	
F	C-Mount Adapter Housing:108027(HS502)
G	108015(Dia.23.2mm to 30.0mm Ring)/Adapter rings for 30mm eyepiece tube
H	108016(Dia.23.2mm to 30.5mm Ring)/ Adapter rings for 30.5mm eyepiece tube
I	108017(Dia.23.2mm to 31.75mm Ring)/ Adapter rings for 31.75mm eyepiece tube
J	Calibration kit
	106011/TS-M1(X=0.01mm/100Div.);
	106012/TS-M2(X,Y=0.01mm/100Div.);
	106013/TS-M7(X=0.01mm/100Div., 0.10mm/100Div.)

